



# PART #4251MR

**FITS 2015-2023 FORD F-150  
WITHOUT FACTORY FENDER FLARES**

## INSTALLATION INSTRUCTIONS

- (1) Ensure truck is parked on a level surface.
- (2) Remove the factory push clip from the fender flare.
- (3) Place mud flap over an existing hole.
- (4) Install provided push clip through mud flap and fender.
- (5) Align mud flap level and square with the truck and clamp it to the vehicle.
- (6) After mud flap is aligned drill 1/8" pilot holes using the remaining holes as a guide.
- (7) Use #12x1-3/8" self-drilling screws and washers in the pre-drilled pilot holes. Remember not to over tighten self drilling screws.
- (8) Installation should be performed by qualified individual.

## PARTS LIST

- 2 – Mud Flaps
- 10 – #12x1-3/8 Aluminum self-drilling screws
- 8 – 1" Aluminum washers
- 2 – Plastic push clips

## IMPORTANT

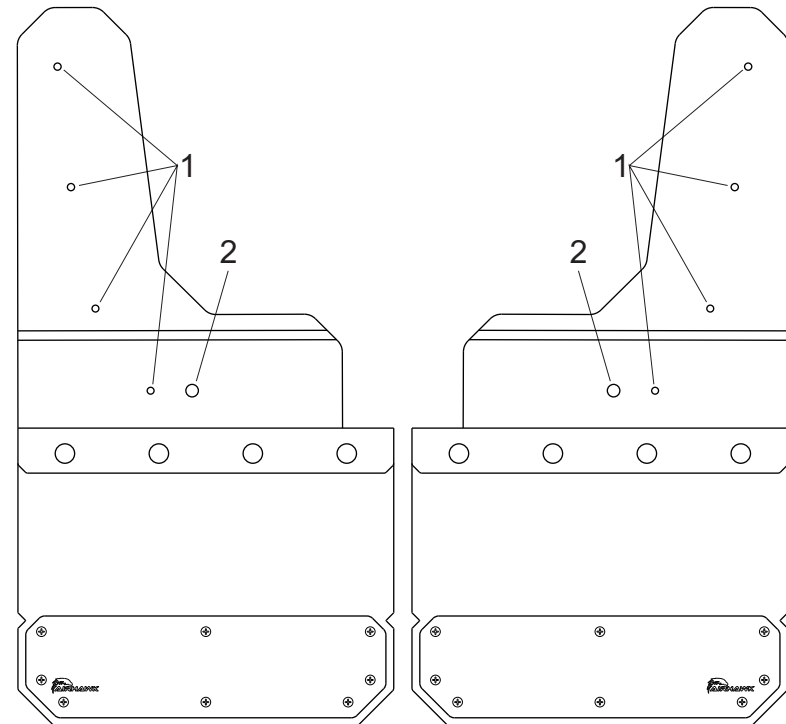
Manufacturer is not responsible for negligent use of vehicle or mud flaps installed, or over tightening of screws and bolts causing damage to vehicle or mud flaps.

Use of this product is subject to Company terms and conditions of sale.

**MADE IN CANADA**

[www.airhawk.ca](http://www.airhawk.ca)

## REAR MUD FLAPS



DRIVER SIDE

PASSENGER SIDE

- 1 – #12x1-3/8 self-drilling screws and washers
- 2 – Plastic push clip

IMPORTANT:

**DO NOT OVER TIGHTEN SELF DRILLING SCREWS**