



# PART #1026MF

Fits 2019-2023  
CHEVROLET SILVERADO 1500

## FRONT MUD FLAPS

### INSTALLATION INSTRUCTIONS

- (1) Remove the 3 factory screws from fender flare extension.
- (2) Remove existing splash guards.
- (3) Insert 2 rubber plugs into oblong holes in the fender.
- (4) Remove protective films from mud flap before installation.
- (5) Place mud flap over existing holes.
- (6) Use stainless steel washers provided with the 3 factory screws removed earlier to attach.
- (7) After mud flap is aligned use #12x3/4" self drilling screws for the remainder of the holes. Remember not to over tighten self drilling screws.

### PARTS LIST

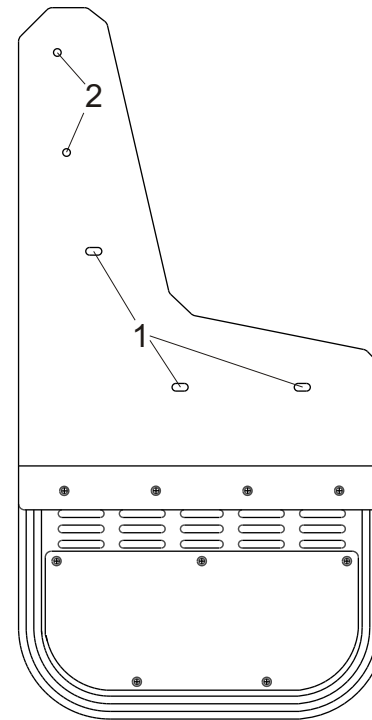
- 2 – Mud Flaps
- 4 – #12x3/4" Stainless steel self drilling screws
- 10 – Fender washers
- 2 – Plugs

### IMPORTANT

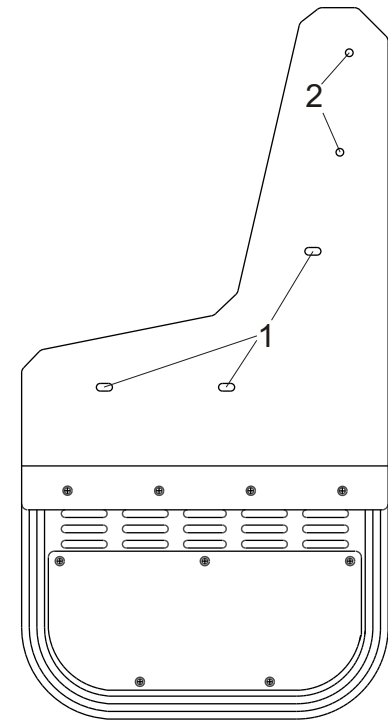
Manufacturer is not responsible for negligent use of vehicle or mud flaps installed, or over tightening of screws and bolts causing damage to vehicle or mud flaps.

**MADE IN CANADA**

### DRIVER SIDE



### PASSENGER SIDE



- 1 – Existing factory screws
- 2 – #12x3/4" self drilling screws

NOTE:  
**DO NOT OVER TIGHTEN SELF DRILLING SCREWS**